

**sheer  
delight**

**10-13mm Sheer  
Delight**

Ideal for voiles and lighter weights of fabric, Sheer Delight is an extendable metal pole complete with rings and supports. The finial style is an elegant Crown or Mitre. Co-ordinating Holdbacks and additional rings are available separately, see price list for details.

Holdback  
available in  
this style  
pg 63



10-13mm Sheer Delight Mitre Silver Finish

Holdback  
available in  
this style  
pg 63



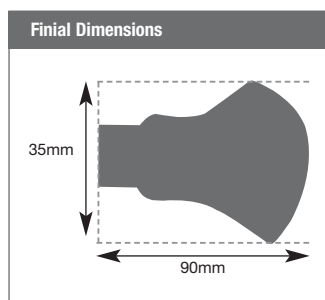
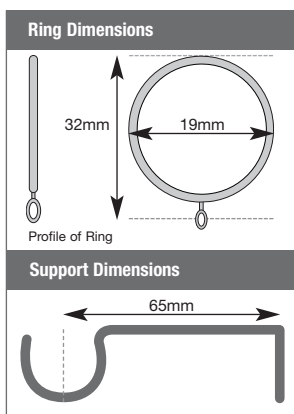
10-13mm Sheer Delight Mitre Gilt Finish

**10-13mm sheer delight mitre**

10-13mm Sheer Delight Mitre Sizes	No. of Supports	No. of Rings	RRP
<b>100-180cm</b>	3	18	£16.99
<b>150-280cm</b>	3	28	£23.49

All sizes approx.

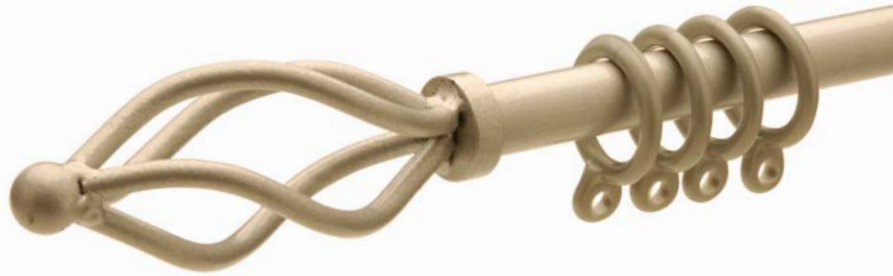
- Poles will extend to fit.
- Poles have a painted finish.



10-13mm  
diameter



Holdback  
available in  
this style  
pg 63



10-13mm Sheer Delight Crown Silver Finish

Holdback  
available in  
this style  
pg 63



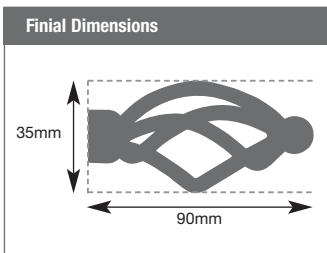
10-13mm Sheer Delight Crown Gilt Finish

Holdback  
available in  
this style  
pg 63



10-13mm Sheer Delight Crown Black Finish

## 10-13mm sheer delight crown



10-13mm Sheer Delight Crown Sizes	No. of Supports	No. of Rings	RRP
<b>100-180cm</b> Black	3	18	£15.99
<b>100-180cm</b> Gilt	3	18	£16.99
<b>100-180cm</b> Silver	3	18	£16.99

10-13mm Sheer Delight Crown Sizes	No. of Supports	No. of Rings	RRP
<b>150-280cm</b> Black	3	28	£22.49
<b>150-280cm</b> Gilt	3	28	£23.49
<b>150-280cm</b> Silver	3	28	£23.49

All sizes approx.  
• Poles will extend to fit.  
• Poles have a painted finish.