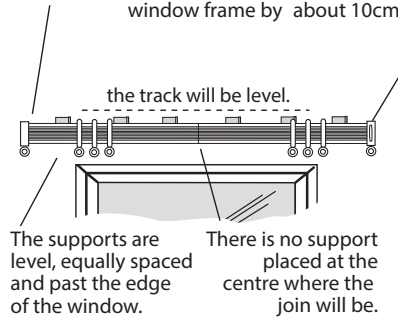


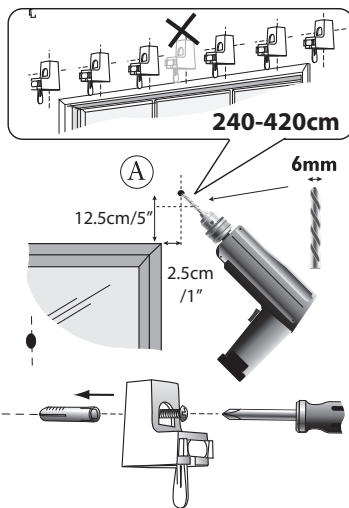
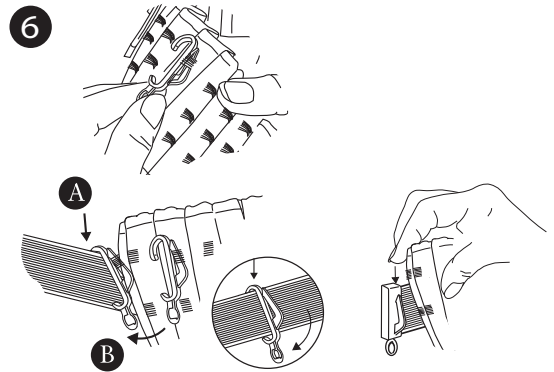
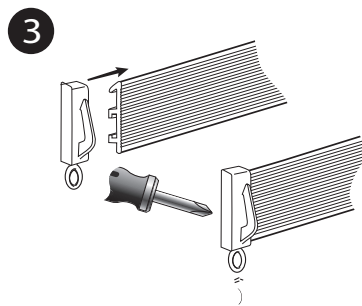
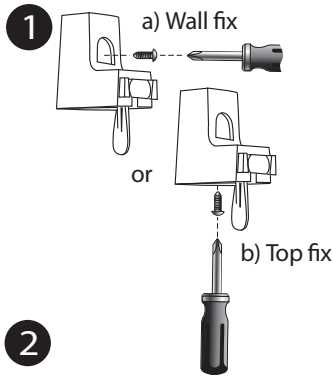
# Fixing Instructions

## 240cm - 420cm 2 piece fixing instructions

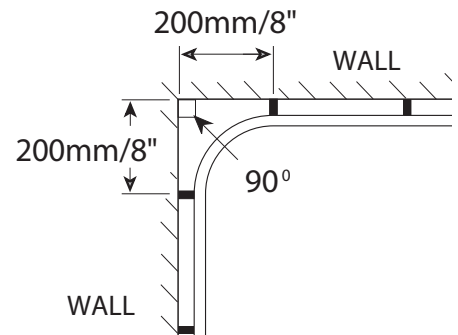
**Before you begin we recommend** - The end of the track overhangs the window frame by about 10cm/4"



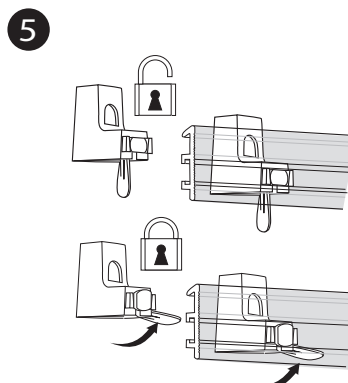
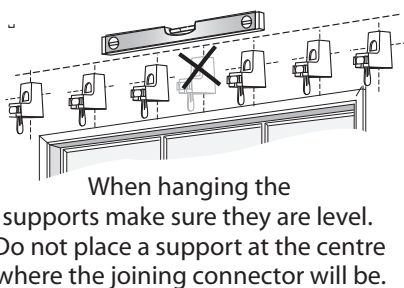
**We recommend two people hang this track**



### Bending into a bay



Generate a smooth bend by positioning the supports as shown.



### Cutting the track

