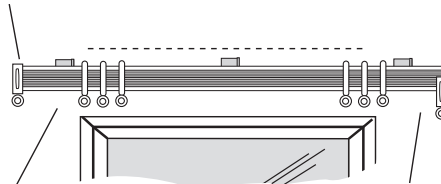


Fixing Instructions

120cm - 210cm 1 piece fixing instructions

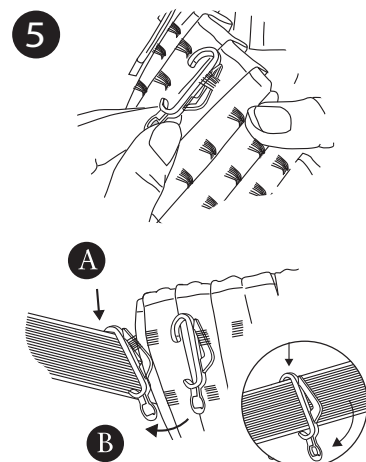
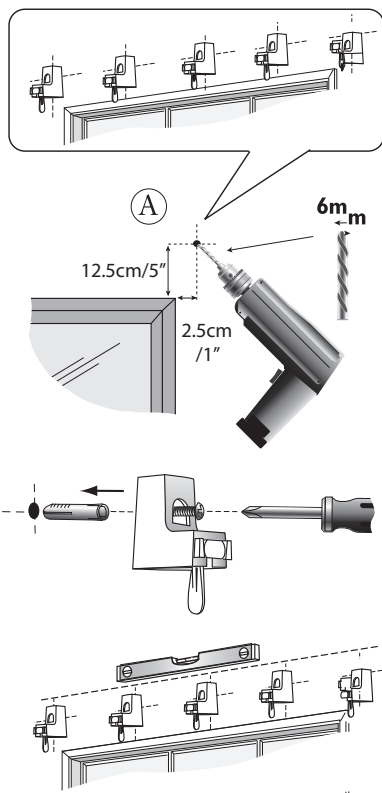
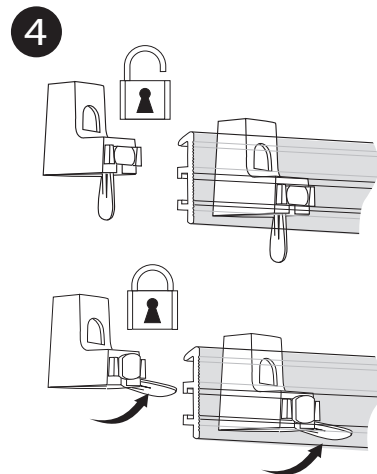
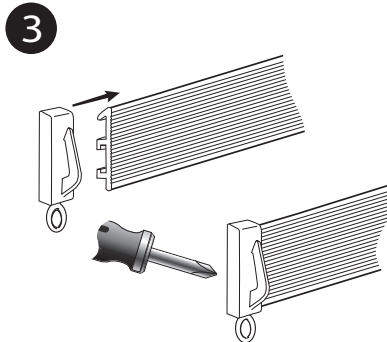
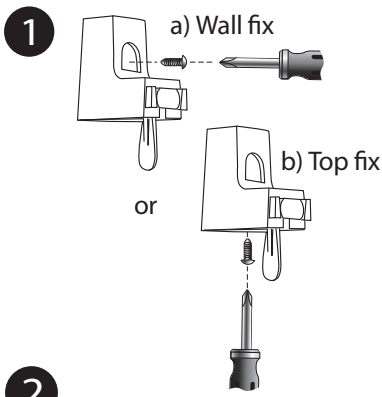
Before you begin we recommend -

The end of the track overhangs the window frame by about 10cm/4". the track will be level.

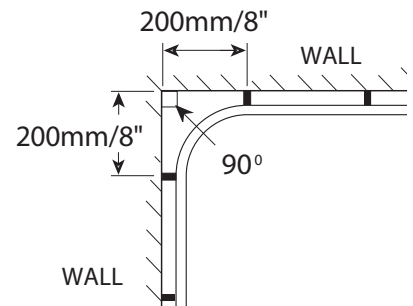


The supports are level, equally spaced and past the edge of the window.

There is a gap for the end caps after the last support.

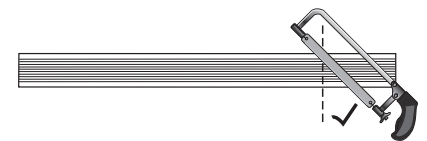


Bending into a bay



Generate a smooth bend by positioning the supports as shown.

Cutting the track



Trim the track if required. Please remove the end cap prior to cutting. Trim from one end. Replace and secure end cap.