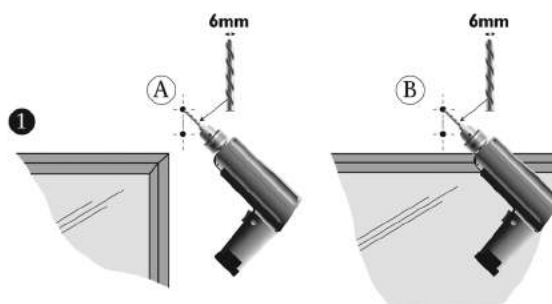
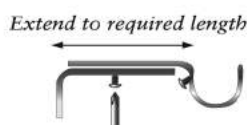


Fixing Instructions



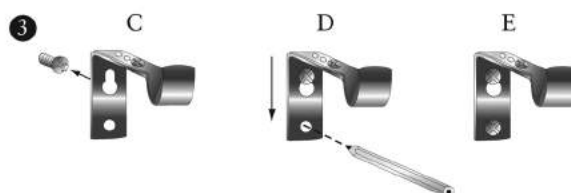
Mark & drill 2 holes (A) for each of the end supports using a 6mm drill bit. On longer length poles, mark and drill 2 holes (B) in the middle for the centre support.

2



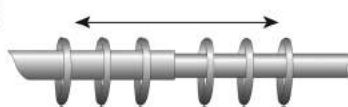
If required, extend support to desired length and fasten securely using the small grub screw.

Practical Tip: Insert the small screw behind the support cup now (figure F), but do not tighten until pole has been positioned.



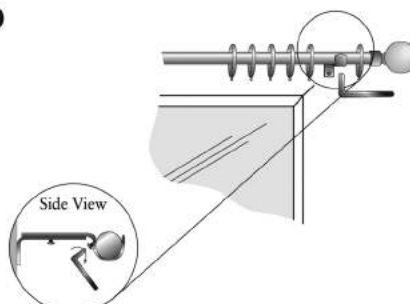
Hook support onto the screw head using the larger key-hole (C). Slide the support downward into position before marking and drilling the bottom support hole (D). Tighten both screws to hold support firmly in position (E).

4



Extend pole to required length.

5



Add rings.

Position one ring at each end between the finial and the support, this will act as an end stop.

Place the pole into the supports & tighten the screw behind the support cup (inserted in step 2) to hold the pole firmly in place.

Component parts may vary in style.