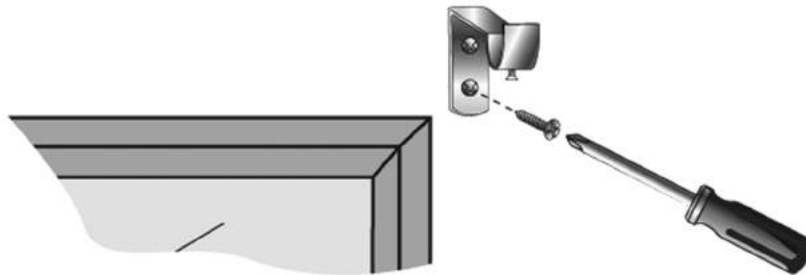
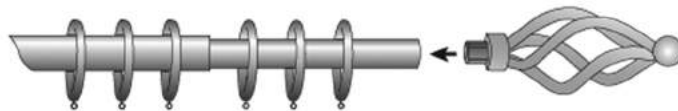


## Fixing Instructions

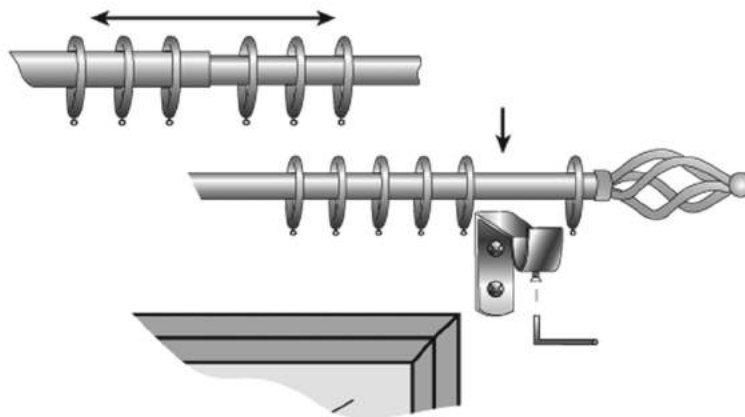


**1. Fix the supports to the wall in the position desired.**



**Note: Separate diameter finials are supplied to fit either 16 or 19mm poles.**

**2. Add rings and finials.**



**3. Extend pole to required length and place into the supports. Position one ring at each end between the finial and support. This will act as an end stop. Tighten the screw underneath the support with the allen key supplied.**

**Component parts may vary in style.**