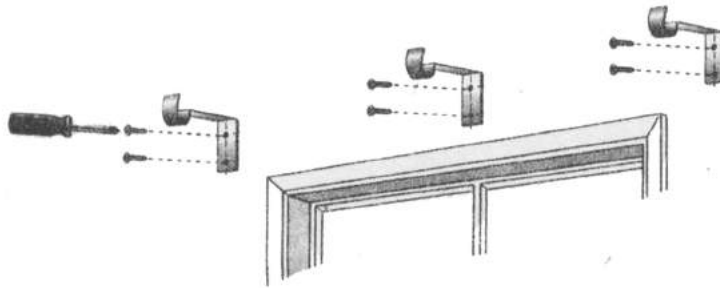
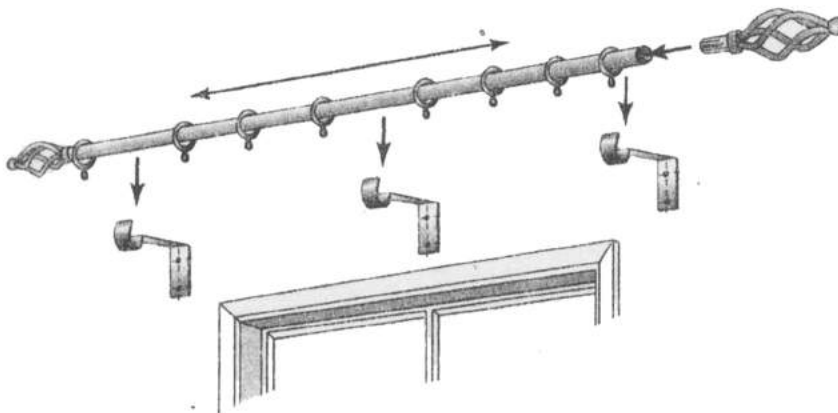


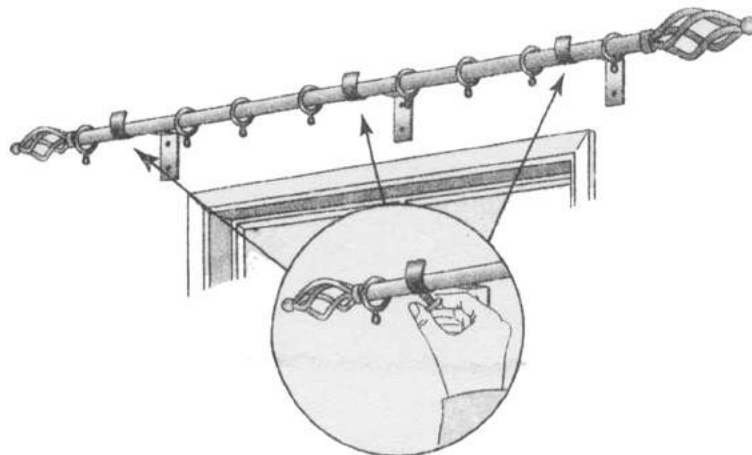
Fixing Instructions



Screw supports securely to wall in desired position.



Extend the pole to required length, add rings and finials before placing the pole into the supports.
Position one ring at each end between the finial and the support, this will act as an end stop.



Tighten the screw underneath the support cup by hand to hold the pole in position.

Component parts may vary in style.